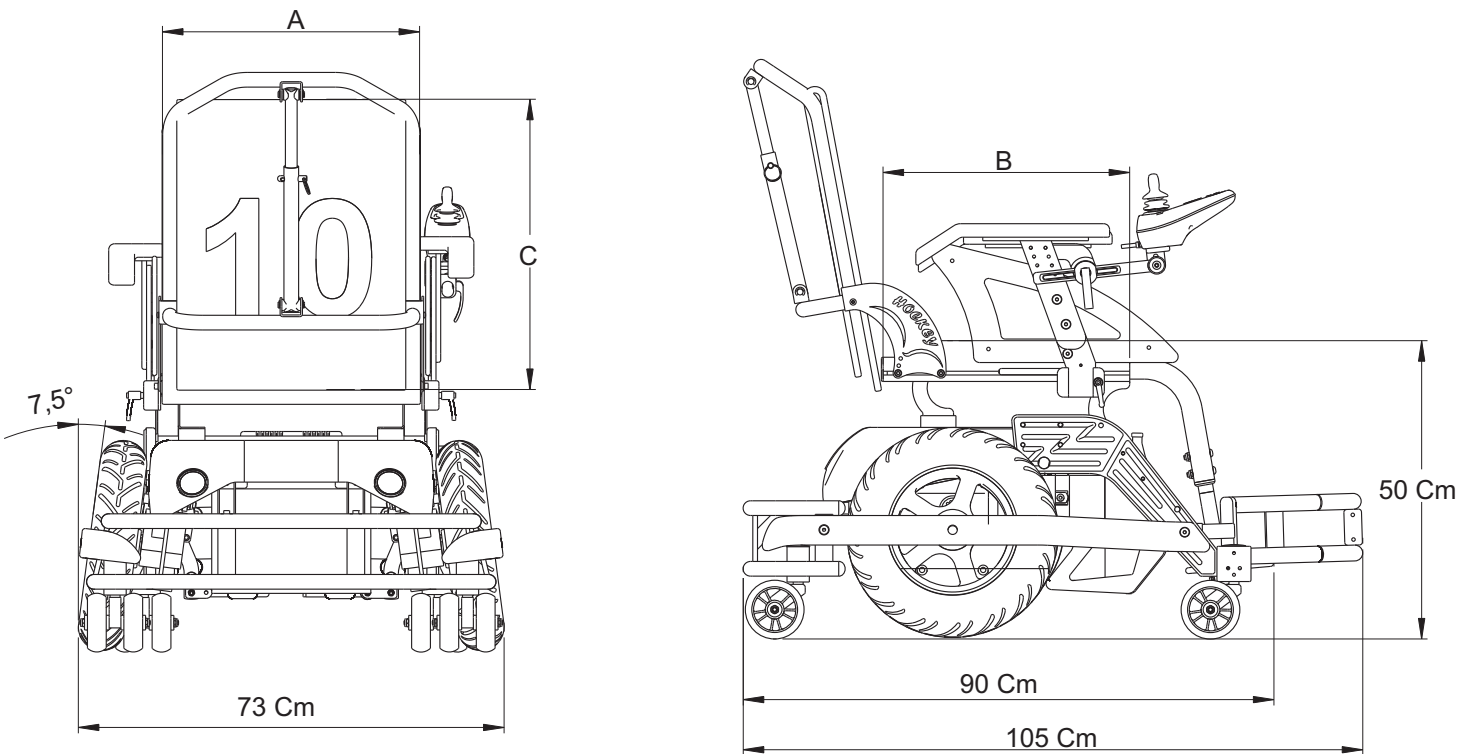


## GENERAL FEATURES

Maximum user weight	<b>150 kg</b>	Maximum speed	<b>15 km/h</b>
Empty weight	<b>100 kg</b>	Range	<b>45 km</b>
		Motors	<b>2x350 W</b>

## TECHNICAL INFORMATION



A	B	C	D
SIZE [cm]	SEAT DEPTH [cm]	BACKREST HEIGHT [cm]	WIDTH [cm]
40-46	38-56	40-55	73

These information may vary according to the specific customization of each wheelchair.